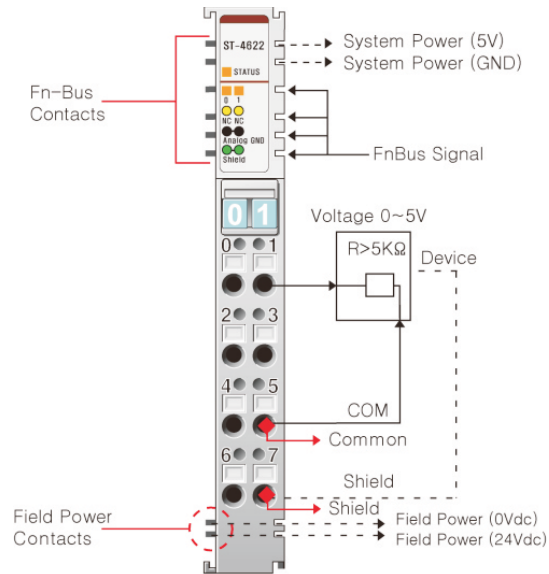


ST-4622

0~5Vdc, 2 Channels, Voltage, 12bit



Item		ST-4622
Output Specification		
Output Per Module	2 Channels Single Ended, Non-isolated between channel	
Indicators	2 Green States, 1Green/Red Fn-Bus State	
Resolution in Ranges	12Bits : 1.22mV/Bit	
Output Current Range	0~5Vdc	
Data Format	16bits Integer (2' compliment)	
Module Error	± 0.1% Full Scale @25 °C ± 0.3% Full Scale @-20 °C, 60 °C	
Load Resistance	Min. 5KΩ	
Conversion Time	2msec/All channel	
Calibration	Not Required	
Diagnostic	No	
Common Type	2 Channels / 2 COM(Single common)	
General Specification		
Power Supply	From System Power DC/DC	
Power Dissipation	Max. 155mA@5.0Vdc	
Isolation	I/O to Logic : Photocoupler Isolation I/O to Field Power : Not Connected	
Wiring	I/O Cable Max. 2.0mm ² (AWG#14)	
Weight	70g	
Module Size	12mm x 99mm x 70mm	
Environment Condition	Refer to " Environment Specification"(page : 1-191)	
Pin No.	Description	
0	Output Channel 0	
1	Output Channel 1	
2	No Connection	
3	No Connection	
4	Output Channel Common (0V)	
5	Output Channel Common (0V)	
6	Chassis Ground / Shield	
7	Chassis Ground / Shield	
-	-	
-	-	
-	-	
-	-	
-	-	
-	-	
-	-	
-	-	
-	-	
-	-	
-	-	
-	-	
-	-	
-	-	
-	-	
-	-	
-	-	